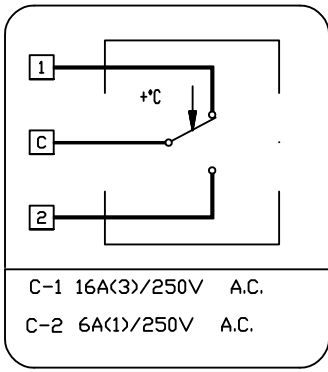


PROPRIETA' RISERVATA: a sensi di legge e' vietato riprodurre o cedere a terzi questo disegno senza autorizzazione specifica.



Wiring Diagram

Technical and electric features

Breaking capacity: C-1 16(3)A / 250Vac
C-2 6(1)A / 250Vac

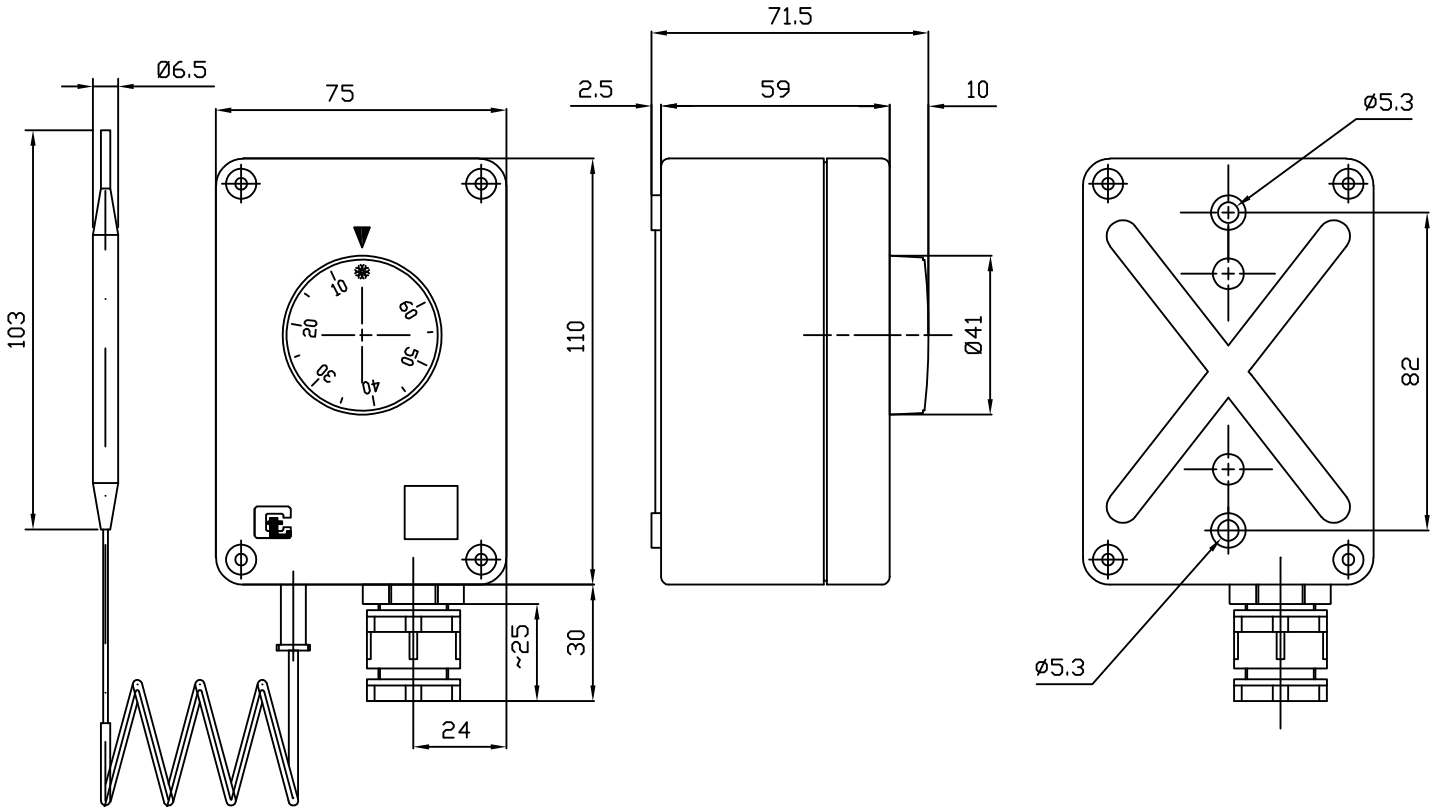
Minimum current: 200 mA
 Connection through terminals
 Protection degree : IP55
 Weight: 250 gr.

Customer approval:

Date: / /

Signature:

Customer stamp:



Data sheet:

Working range: 5°C+60°C
 Calibration temperature: 5°C ±3K
 Max ambient temperature: 70°C
 Inox probe length= 1300mm

| | | | | | | |
|---|----------------------|--------------------------|--------------------------------|----------|-----------------|--|
| Ediz./Issue | Data/Date | Dis./Drawer | Modifiche / Modifications | | | |
| Toll. generali: ±0,5 | | Fori/interassi: ±0,5 | Angoli: 45° | Viti: 6g | Madreviti: 6H | |
| General toler. | | Hole/Interdi. | Angles | Screw | Female thread | |
| Descrizione/Description: Encased thermoregulator TS9504 | | | Scala: 1:2 | | | |
| Cliente/Customer: LVS HEATING | | | Cod. cliente / Customer's code | | | |
| Applicazione/Appliance: -- | | | -- | | | |
| Date: 23/04/21 | Disegnatore: Beretta | Controllato: [Signature] | Codice / Code | | Rev. | |
| Date | | Drawer | Checked | | TS9504.01/05317 | |
| [Symbol] | | [Signature] | | 1 | | |

STE_014 06/02