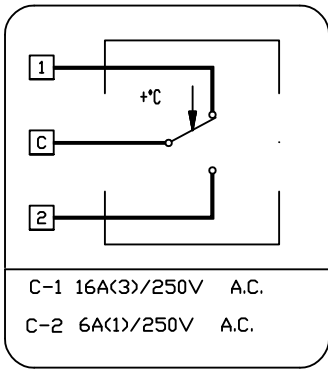


PROPRIETÀ RISERVATA: a sensi di legge e' vietato riprodurre o cedere a terzi questo disegno senza autorizzazione specifica.



Wiring Diagram

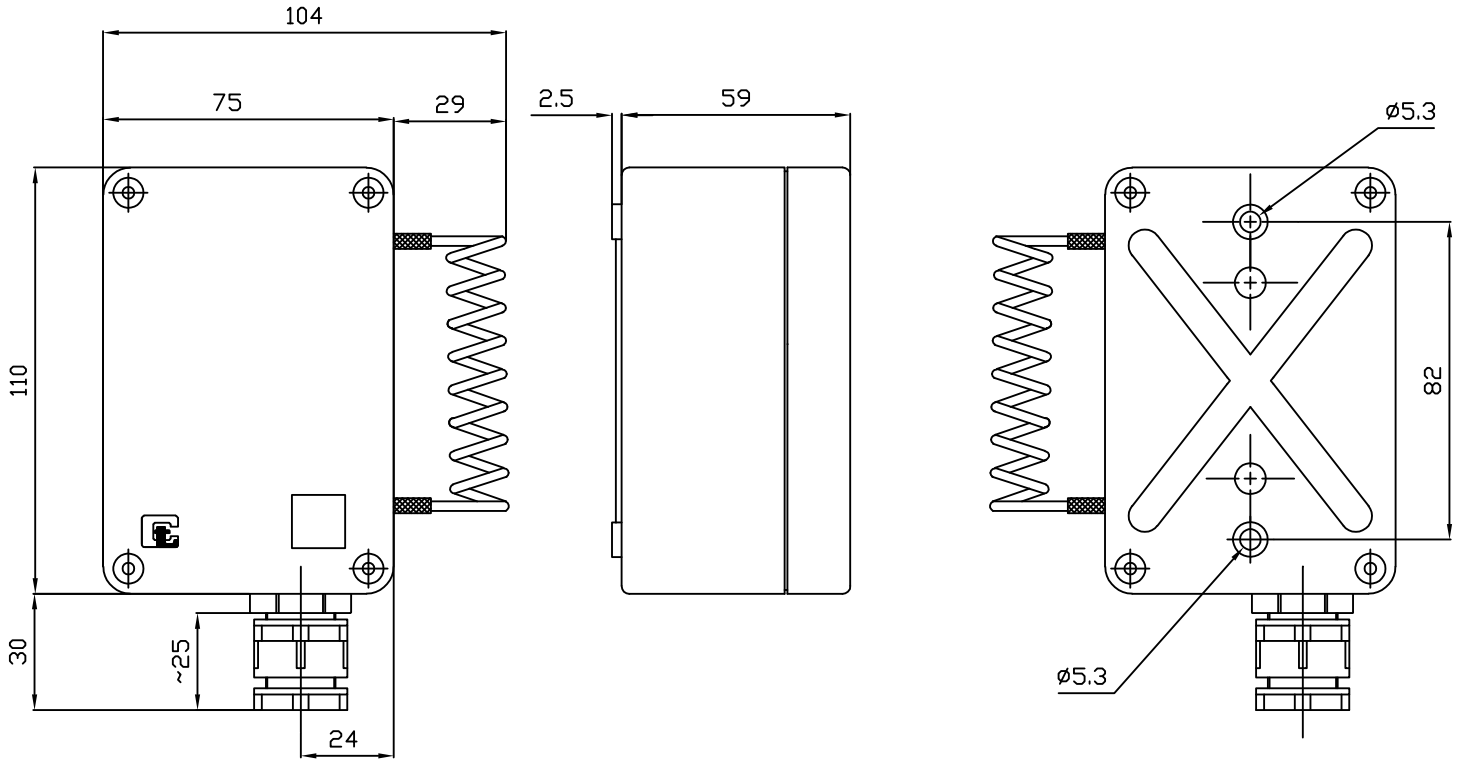
Technical and electric features
 Breaking capacity: C-1 16(3)A / 250Vac
 C-2 6(1)A / 250Vac
 Minimum current: 200 mA
 Connection through terminals
 Protection degree : IP55
 Weight: 250 gr.

Customer approval:

Date: / /

Signature:

Customer stamp:



Data sheet:

Working range: $-35^{\circ}\text{C}+35^{\circ}\text{C}$

Calibration temperature: $0^{\circ}\text{C} \pm 3\text{K}$

Max ambient temperature: 70°C

Inox probe

Ediz./Issue	Data/Date	Dis./Drawer	Modifiche / Modifications						
Toll. generali	: $\pm 0,5$	Fori/interassi	: $\pm 0,5$	Angoli	: 15°	Viti	: 6g	Madreviti	: 6H
General toler.		Hole/Interdi.		Angles		Screw		Female thread	
Descrizione/Description:		Encased thermoregulator TS9502				Scala		: 1:2	
Cliente/Customer:		LVS HEATING				Cod. cliente / Customer's code			
Applicazione/Appliance:		--				--			
Data	: 23/04/21	Disegnatore	Controllato			Codice / Code		Rev.	
Date		Drawer	Checked			TS9502.02/05317		1	

STE_014 06/02